

Voltage controlled operational amplifier

BA6110/BA6110FS

The BA6110/BA6110FS is a low-noise, low-offset programmable operational amplifier. Offering superb linearity over a broad range, this IC is designed so that the forward direction conductivity (g_m) can be changed, making it ideal for applications such as voltage control amplifiers (VCA), voltage control filters (VCF) and voltage control oscillators (VCO).

Distortion reduction circuitry improves the signal-to-noise ratio by a significant 10dB at a distortion rate of 0.5% in comparison with products not equipped with this feature. When used as a voltage control amplifier (VCA), a high S/N ratio of 86 dB can be achieved at a distortion rate of 0.5%.

The open loop gain is determined by the control current and an attached gain determining resistance R_L , enabling a wide range of settings.

In addition, a built-in low-impedance output buffer circuit reduces the number of attachments.

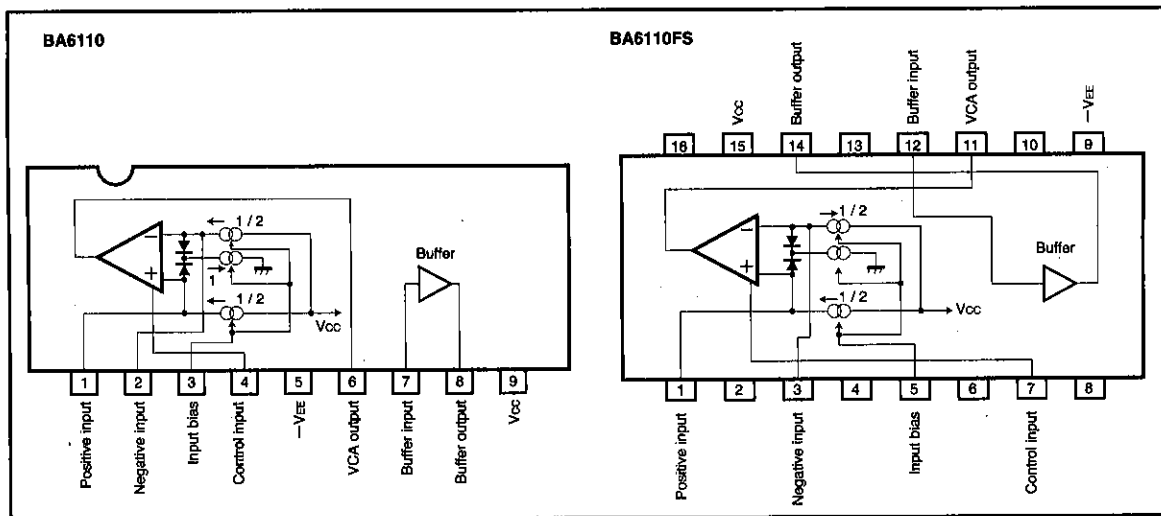
●Applications

- Electronic volume controls
- Voltage-controlled impedances
- Voltage-controlled amplifiers (VCA)
- Voltage-controlled filters (VCF)
- Voltage-controlled oscillators (VCO)
- Multipliers
- Sample holds
- Schmitt triggers

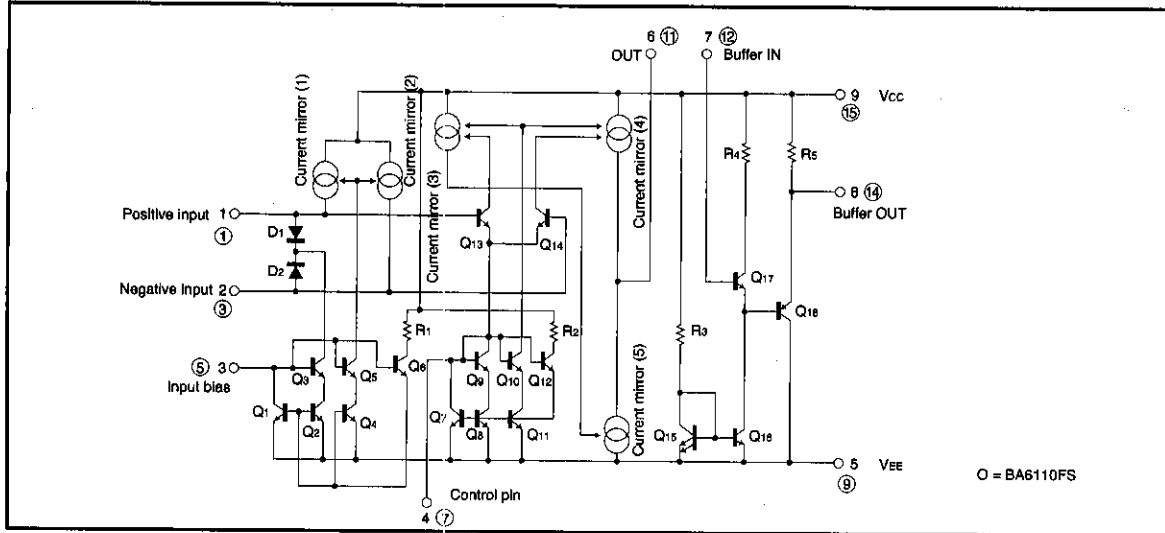
●Features

- 1) Low distortion. (built-in low distortion reduction bias diode)
- 2) Low noise.
- 3) Low offset voltage. ($V_{IO}=3mV_{max}$)
- 4) Built-in output buffer.
- 5) Variable g_m with superb linearity across three decade fields.

●Block diagram



● Internal circuit configuration diagram



● Absolute maximum ratings (Ta=25°C)

Parameter	Symbol	Limits	Unit
Power supply voltage	V _{CC}	34	V
Power dissipation	P _d	500 *1	mW
		300 *2	
Operating temperature	T _{opr}	-20~70	°C
Storage temperature	T _{stg}	-55~125	°C
Maximum control current	I _{C Max.}	500	μA

*1 Reduced by 5mW for each increase in Ta of 1°C each 25°C.

*2 Reduced by 3mW for each increase in Ta of 1°C each 25°C.

● Electrical characteristics (unless otherwise noted, Ta=25°C, V_{CC}=15V, V_{EE}=-15V)

Parameter	Symbol	Min.	Typ.	Max.	Unit	Conditions	Measurement Circuit
Quiescent current	I _Q	0.9	3.0	6.0	mA	I _{CONTROL} =0 μA	Fig.1
Pin 7 bias current	I _{7PIN}	—	0.8	5	μA	—	Fig.1
Distortion	THD	—	0.2	1	%	I _{CONTROL} =200 μA, V _i =5mVrms	Fig.1
Forward transmission conductance	g _m	4800	8000	12000	μS	I _{CONTROL} =500 μA	Fig.1
Pin 6 maximum output voltage	V _{OM6}	12	14	—	V	I _{CONTROL} =500 μA	Fig.1
Pin 8 maximum output voltage	V _{OM8}	9	11	—	V	R _L =47kΩ	Fig.1
Pin 6 maximum output current	I _{OM6}	300	500	650	μA	I _{CONTROL} =500 μA	Fig.1
Residual noise 1	V _{N1}	—	-94	-90	dBm	I _{CONTROL} =0 μA, BPF (30~320kHz, 3dB, 6dB/OCT)	Fig.1
Residual noise 2	V _{N2}	—	-74	-66	dBm	I _{CONTROL} =200 μA, BPF (30~20kHz, 3dB, 6dB/OCT)	Fig.1
Discontinuous noise	V _{NP2}	—	10.5	11.5	dB	I _{CONTROL} =200 μA, BPF (30~20kHz, 3dB, 6dB/OCT)	Fig.1
Leakage level	L (Leak)	—	-94	-75	dBm	I _{CONTROL} =0 μA, V _{IN} =-30dBm, f _{IN} =20kHz	Fig.1

● Measurement circuit

* Pin numbers shown in the diagram are for the BA6110.

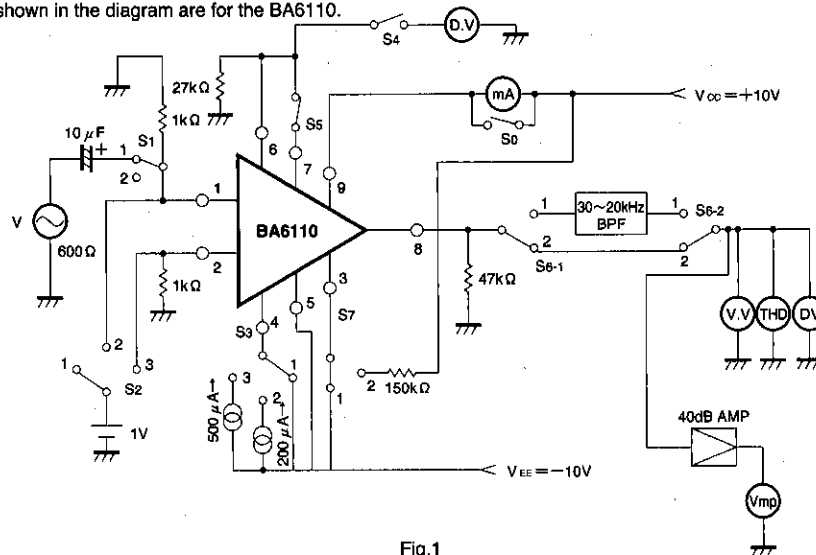


Fig.1

● Circuit configuration

(reference numbers in the internal circuit configuration diagram are for the BA6110)

The BA6110 is configured as an operational amplifier which can control the forward propagation conductance (g_m) using the control current, an input bias-compensating diode used to eliminate distortion created by the amplifier's differential input, a bias setter, and an output buffer.

In the operational amplifier, Pin 1 is the positive input and Pin 2 is the negative input. Pin 4 is the control pin which determines the differential current. Pin 6 is the output pin which determines the open loop gain using the external resistor and the control current.

This section describes the circuit operation of this operational amplifier.

Transistors Q_{13} and Q_{14} form the differential input for the operational amplifier, while transistors Q_7 to Q_{12} are composed of the current mirror circuits. The current mirror absorbs current from the differential input common emitter which is equal to the control current flowing into the Pin 4 control pin. If the differential input $V_{IN} = 0$ at this point, then $1/2 I_c$ is supplied to the Q_{13} and Q_{14} collectors and the other half passes through the current mirrors (3) and (4). The output of current mirror (3) which is the differential active load is inverted by current mirror (5), and is balanced with the output of current mirror (4), also an active load.

If the differential input changes, the current balance changes. The output current is on Pin 6. An output voltage can be generated using an external resistance. For the open loop gain of this operational amplifier, if the Pin 4 control current is $I_{CONTROL}$ and the Pin 6 external resistance is R_o , then :

$$A (v) = g_m \cdot R_o = \frac{I_{CONTROL} \times R_o}{2 \frac{KT}{q}}$$

To eliminate the distortion created by the differential input, the input bias diode and its bias circuit consist of the following : bias diodes D_1 and D_2 , current mirrors (1) and (2), and the Pin 3 bias pin current mirror that consists of the transistors Q_1 to Q_6 and the resistance R_1 . This circuit eliminates the distortion that occurs as a result of using the differential input open loop.

In the buffer circuit, Pin 7 is the buffer input and Pin 8 is the buffer output.

In the buffer circuit, the emitter follower consists of the active load of the NPN transistor, Q_{17} , and its active load, Q_{16} . The V_f difference created by the emitter follower is eliminated by the emitter follower which consists of the PNP transistor Q_{18} and resistor R_5 . Also, the gain is determined by the ratio of the signal source resistance R_{IN} and the diode impedance.

● Attachments (pin numbers are for the BA6110)

(1) Positive input (Pin 1)

This is the differential positive input pin. To minimize the distortion due to the diode bias, an input resistor is connected in series with the signal source. By increasing the input resistance, distortion is minimized. However, the degree of improvement for resistances greater than $10k\Omega$ is about the same. An input resistance of $1k\Omega$ to $20k\Omega$ is recommended.

(2) Negative input (Pin 2)

This is the differential negative input pin. It is grounded with roughly the same resistance value as that of the positive input pin. The offset adjustment is also connected to this pin. Make sure a sufficiently high resistance is used, so as not to disturb the balance of the input resistance (see Figure 3).

(3) Input bias diode (Pin 3)

The input bias diode current (I_b) is determined by this pin.

The IC input impedance when the diode is biased, if the diode bias current is I_D , is expressed as follows :

$$R_d = \frac{26}{I_b \text{ (mA)}} \quad (\Omega)$$

● Application examples (pin numbers refer to the BA6110)

(1) Figure 3 shows a voltage-controlled amplifier (AM modulation) as an example of an application of the BA6110.

By changing the I_{CONTROL} current on Pin 4, the differential gain can be changed. The gain (AV), if the resistance of Pin 6 is R_O , is determined by the following equation :

$$A(v) = g_m \cdot R_O = \frac{I_{\text{CONTROL}} \text{ (mA)}}{52 \text{ (mV)}} \times R_O$$

Good linearity can be achieved when controlling over three decades.

By connecting Pin 3 to the V_{CC} by way of a resistor, the input is biased at the diode and distortion is reduced.

The gain in this case is given by the diode impedance R_d and the ratio of the input resistance R_{IN} , as shown in the following :

$$A(v) = g_m \cdot R_O \times \frac{R_d}{R_d + R_{IN}}$$

The diode impedance $R_d = (26 / I_b \text{ (mA)}) \Omega$, so that the Pin 3 bias current $I_D = (V_{CC} - 1V) / \text{PIN 3}$. The graph in Figure 3 shows the control current in relation to the

(4) Control (Pin 4)

This pin controls the differential current. By changing the current which flows into this pin, the gain of the differential amplifier can be changed.

(5) Output (Pin 6)

The differential amplifier gain (AV) is determined by the resistor R_O connected between the output terminal and the Pin 4 control terminal, as follows :

$$A_v = g_m \times R_O = \frac{I_{\text{CONTROL}} \text{ (mA)}}{52 \text{ (mV)}} \times R_O$$

Make sure the resistor is selected based on the desired maximum output and gain.

(6) Buffer input (Pin 7)

The buffer input consists of the PNP and NPN emitter follower. The bias current is normally about $0.8 \mu A$. Consequently, when used within a small region of control current, we recommend using the high input impedance FET buffer.

(7) Buffer output resistance (Pin 8)

An $11k\Omega$ resistor is connected between V_{CC} and the output within the IC. When adding an external resistance between the GND and the output, make sure the resistor $R_L = 33k\Omega$.

open loop gain at the diode bias. In the same way, Figure 4 shows the control current in relation to the THD = 0.5% output at the bias point.

Fig. 5 shows a graph of the control current in relation to the open gain with no diode bias.

Fig. 6 shows a graph of the control current in relation to the SN ratio.

Fig. 7 shows a graph of the diode bias current in relation to the SN ratio.

Fig. 8 shows a graph of the power supply voltage characteristics.

(2) Figure 9 shows a low pass filter as an example of an application of the BA6110.

The cutoff frequency f_0 can be changed by changing the Pin 4 control current.

The cutoff frequency f_0 is expressed as :

$$f_0 = \frac{R_A \cdot g_m}{(R + R_A) 2\pi C}$$

This is attenuated by -6dB/OCT.

Fig. 10 shows a graph of the I_{CONTROL} in relation to the output characteristics.

● Application examples (pin numbers refer to the BA6110)

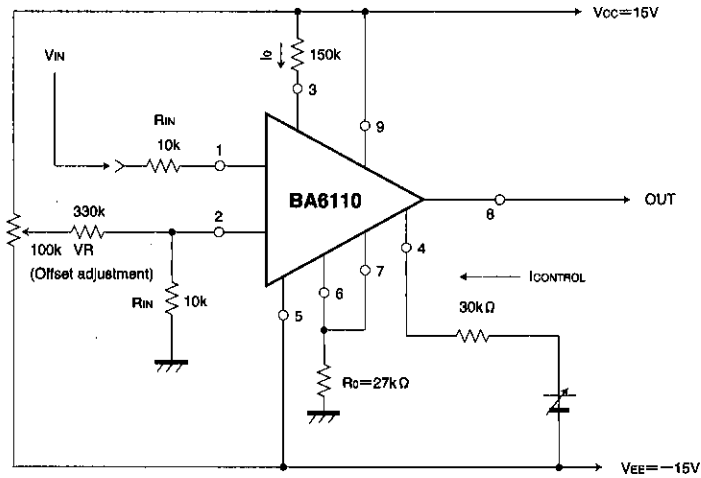
(3) Figure 11 shows a voltage-controlled secondary low pass filter as an example of an application of the BA6110.

The cutoff frequency f_0 can be changed by changing the Pin 4 control current.

$$f_0 = \frac{R_A \cdot g_m}{(R + R_A) \cdot 2 \pi C}$$

This is attenuated by -12dB/OCT.

Fig. 12 shows a graph of the $I_{CONTROL}$ output characteristic.



* Pin numbers are for the BA6110.

Fig.2 Voltage-controlled amplifier (electronic volume control)

● Electrical characteristic curves

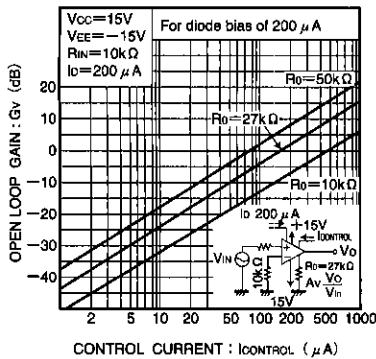


Fig.3 Open loop gain control current characteristic

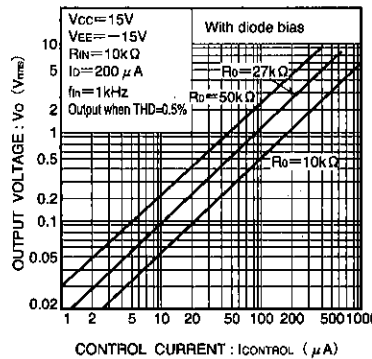


Fig.4 THD 0.5% output control current characteristic

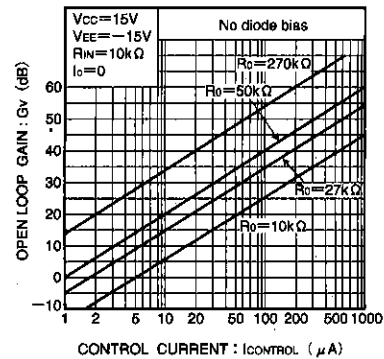


Fig.5 Open loop gain control current characteristic

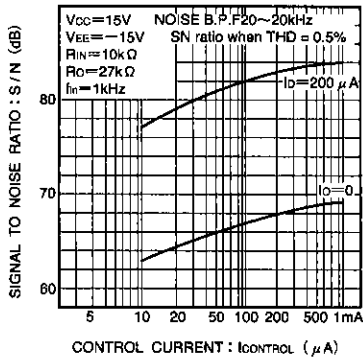


Fig.6 SN ratio - control current characteristic

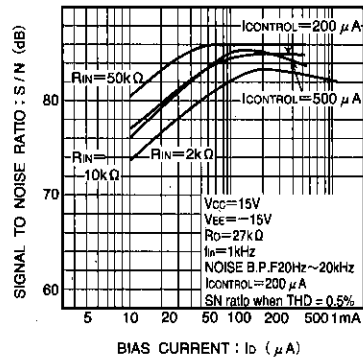


Fig.7 SN ratio - diode bias current characteristic

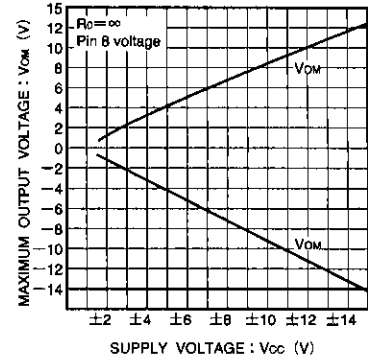
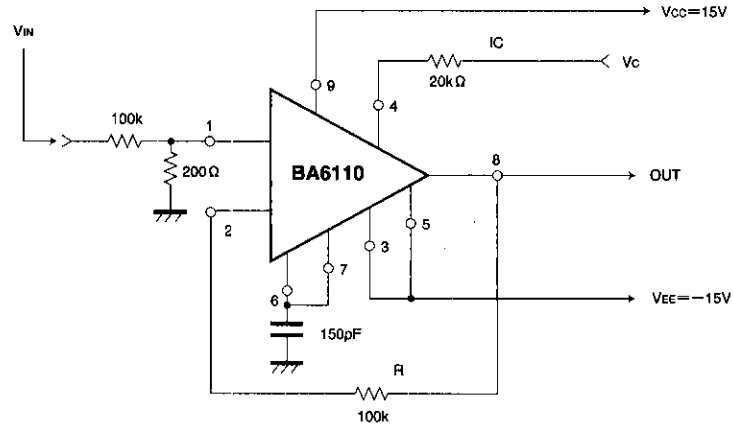


Fig.8 Maximum output voltage - power supply voltage characteristic



* Pin numbers are for the BA6110.

Fig.9 Voltage control low pass filter

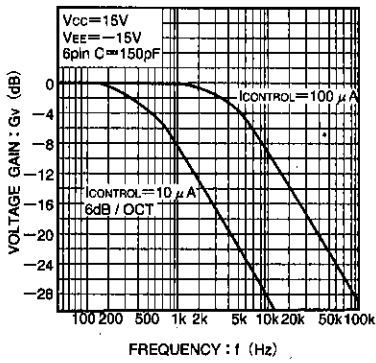
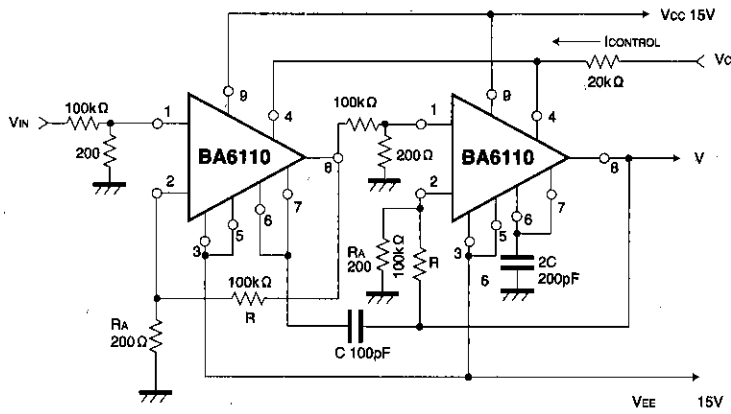


Fig.10 Low pass filter characteristic

●Electrical characteristic curve



* Pin numbers are for the BA6110.

Fig.11 Voltage-controlled secondary low pass filter

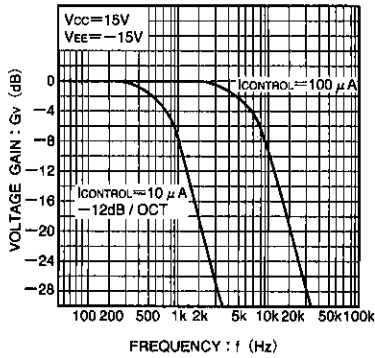
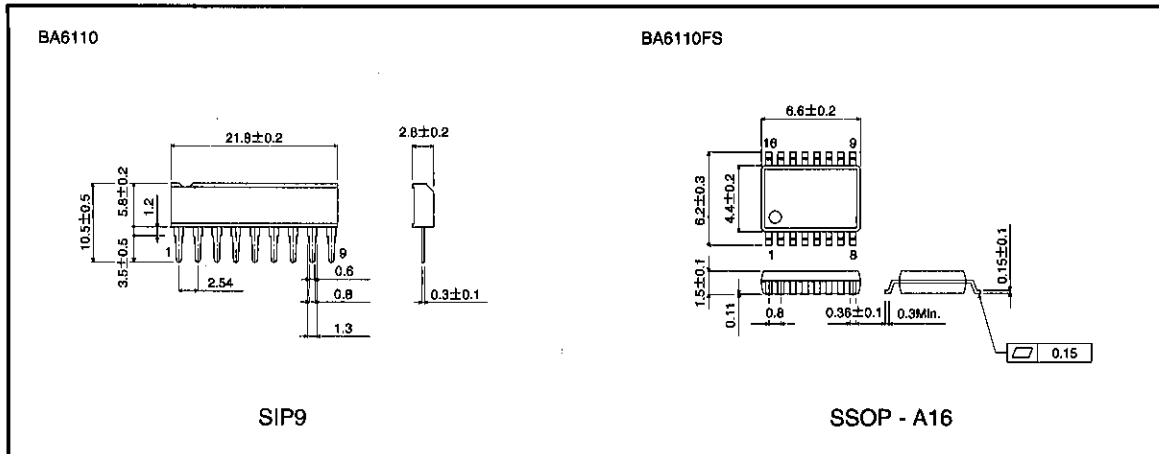


Fig.12 Secondary low pass filter characteristics

●External dimensions (Units: mm)



Notes

- The contents described in this catalogue are correct as of March 1997.
- No unauthorized transmission or reproduction of this book, either in whole or in part, is permitted.
- The contents of this book are subject to change without notice. Always verify before use that the contents are the latest specifications. If, by any chance, a defect should arise in the equipment as a result of use without verification of the specifications, ROHM CO., LTD., can bear no responsibility whatsoever.
- Application circuit diagrams and circuit constants contained in this data book are shown as examples of standard use and operation. When designing for mass production, please pay careful attention to peripheral conditions.
- Any and all data, including, but not limited to application circuit diagrams, information, and various data, described in this catalogue are intended only as illustrations of such devices and not as the specifications for such devices. ROHM CO., LTD., disclaims any warranty that any use of such device shall be free from infringement of any third party's intellectual property rights or other proprietary rights, and further, assumes absolutely no liability in the event of any such infringement, or arising from or connected with or related to the use of such devices.
- Upon the sale of any such devices; other than for the buyer's right to use such devices itself, resell or otherwise dispose of the same; no express or implied right or license to practice or commercially exploit any intellectual property rights or other proprietary rights owned or controlled by ROHM CO., LTD., is granted to any such buyer.
- The products in this manual are manufactured with silicon as the main material.
- The products in this manual are not of radiation resistant design.

The products listed in this catalogue are designed to be used with ordinary electronic equipment or devices (such as audio-visual equipment, office-automation equipment, communications devices, electrical appliances, and electronic toys). Should you intend to use these products with equipment or devices which require an extremely high level of reliability and the malfunction of which would directly endanger human life (such as medical instruments, transportation equipment, aerospace machinery, nuclear-reactor controllers, fuel controllers, or other safety devices) please be sure to consult with our sales representatives in advance.

- Notes when exporting

- It is essential to obtain export permission when exporting any of the above products when it falls under the category of strategic material (or labor) as determined by foreign exchange or foreign trade control laws.
- Please be sure to consult with our sales representatives to ascertain whether any product is classified as a strategic material.