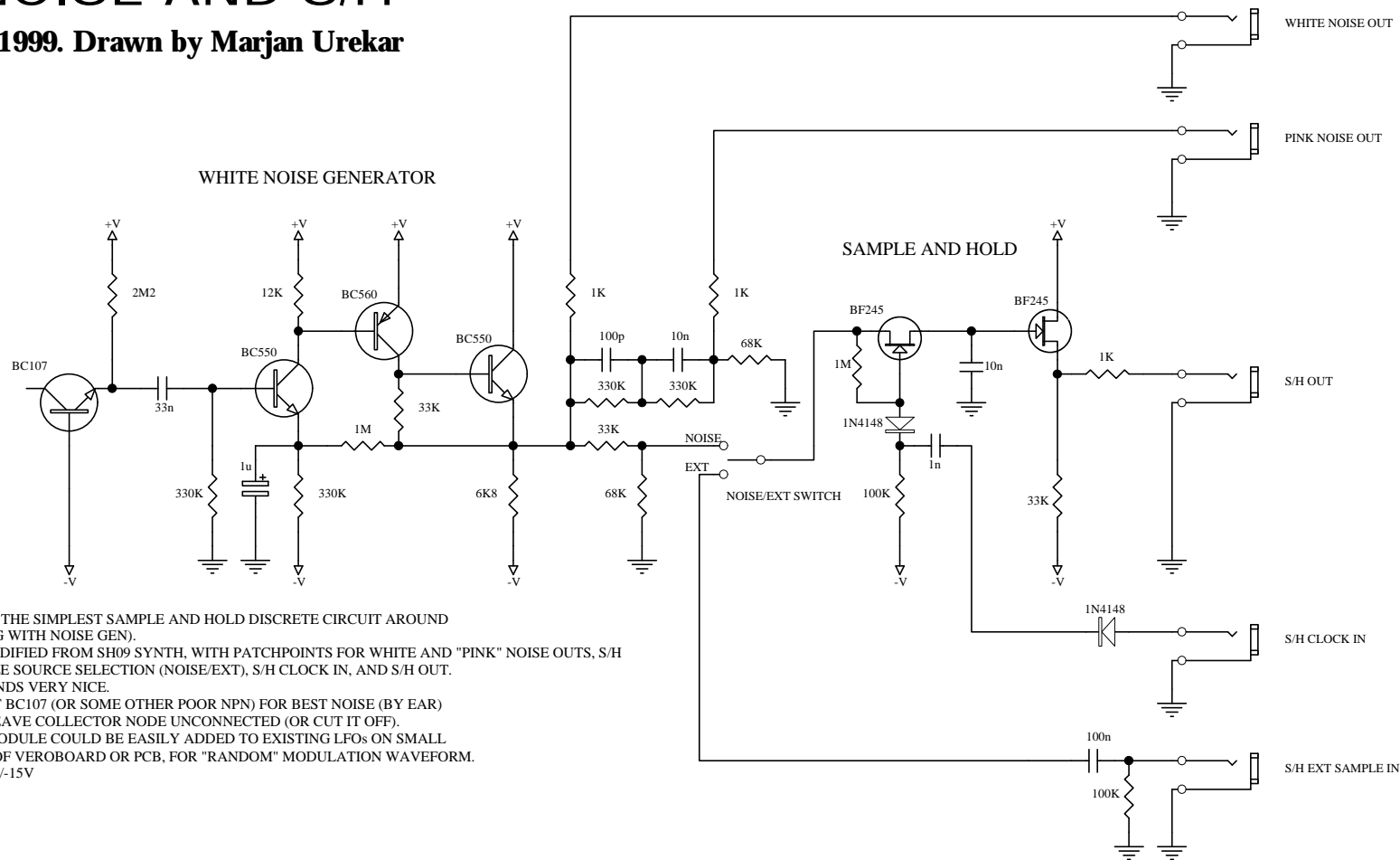


ROLAND SH09 NOISE AND S/H

1999. Drawn by Marjan Urekar



THIS IS THE SIMPLEST SAMPLE AND HOLD DISCRETE CIRCUIT AROUND (ALONG WITH NOISE GEN). IT'S MODIFIED FROM SH09 SYNTH, WITH PATCHPOINTS FOR WHITE AND "PINK" NOISE OUTS, S/H SAMPLE SOURCE SELECTION (NOISE/EXT), S/H CLOCK IN, AND S/H OUT. IT SOUNDS VERY NICE. SELECT BC107 (OR SOME OTHER POOR NPN) FOR BEST NOISE (BY EAR) AND LEAVE COLLECTOR NODE UNCONNECTED (OR CUT IT OFF). THIS MODULE COULD BE EASILY ADDED TO EXISTING LFOs ON SMALL PIECE OF VEROBOARD OR PCB, FOR "RANDOM" MODULATION WAVEFORM. +/-V = +/-15V